

GLORY®

Desktop Automatic Coin Counter/Wrapper

WS-21

- Tabletop, desktop, and top of the line
- High performance, low maintenance
- User-friendly

**Tank Tough
Wrapper**



The Glory WS-21: A Powerful Desktop Coin Counter/Wrapper with All the Features of a Full-size

Desktop Automatic
Coin Counter/Wrapper

WS-21

The world's only—desktop counter/wrapper. The WS-21 is 60% smaller than Glory's acclaimed floor models yet offers all the power and speed of a full-size machine. Use the WS-21 to count only, or count and wrap up to 12 rolls per minute. This is the perfect solution for attaining high-volume, reliable coin processing in a limited work space.

Fast Counting and Wrapping— The Best in Its Class

The WS-21 can wrap up to 12 rolls per minute, the fastest processing speed for this class. As a time-saving and reliable coin counter, the WS-21 offers three preset modes of unlimited, 500 or 1,000, and a convenient user mode of any value from 1 to 99,999. Batch coin wrapping may also be set from 1 to 99,999. All counting, wrapping and denomination settings are made with the easy-to-use soft touch keypad.

The coin hopper holds up to 1,000 loose dimes, and the wrapped coin box holds up to 20 rolled dimes.

Easy to Use Numeric Keypad for Smooth, Efficient Operation

All counting, wrapping, and denomination settings can be made easily from the user-friendly operation panel.



Efficient Wrapping Paper Pick-up Selection System

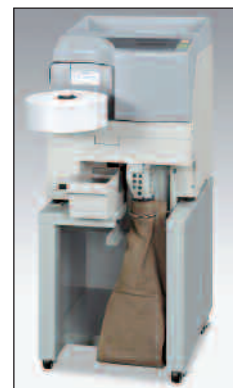
Control functions are activated automatically according to the coin type. The WS-21 cuts coin wrapping paper exactly to the length needed for the selected coin type—a paper-saving feature that eliminates costly waste.

Easy Recovery from Coin Jams

The WS-21's simple and logical design makes it easy to recover from jammed coins in the unlikely event that should occur.

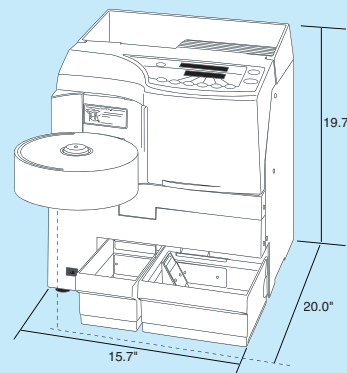
Optional Stand

The tank tough dedicated stand will securely hold the unit at a convenient height, allowing coin bags to be attached to the counter for large batches.



Specifications

Counting speed:	1,600 coins/min. (max.)
Wrapping speed:	12 rolls/min. (max.)
Hopper capacity:	1,000 coins (max.)
Acceptable coins:	Max. 32 denominations Diameter: 0.63"-1.26" (16mm-32.2mm) Thickness: 0.039"-0.118" (1.00mm-3.0mm)
No. of coins wrapped in one roll:	Preset for each denomination
Power source:	AC 100/240V±10% 50/60Hz
Dimensions:	15.7"(W) x 20"(D) x 19.7"(H)
Weight:	121.3lbs (55kg)
Power consumption:	210W



* Specifications are subject to change without notice.
* Please carefully read the instruction manual to ensure correct equipment usage.
* Copyright © 2009 by GLORY LTD. All rights reserved.

GLORY

We Secure the Future

GLORY (U.S.A.) INC.
<http://www.gloryusainc.com>

Corporate Headquarters
10 York Avenue, West Caldwell, NJ 07006
Tel: (800) 999-4510 / Fax: (973) 228-7114

Eastern Region
10 York Avenue, West Caldwell, NJ 07006
Tel: (800) 654-4564 / Fax: (973) 228-8796

Western Region
11205 Knott Avenue, Cypress, CA 90630
Tel: (800) 762-7824 / Fax: (800) 710-9803

Nevada Region
2057 E. Maule Ave. Las Vegas, NV 89119
Tel: (888) 439-8262 / Fax: (702) 252-0645

**Manufactured by
GLORY LTD.**
<http://www.glory.co.jp/en>
Akihabara UDX, 4-14-1 SotoKanda,
Chiyoda-Ku, Tokyo 101-8977 Japan
Tel: +81-3-5207-3110 / Fax: +81-3-5207-3030

Distributed by: